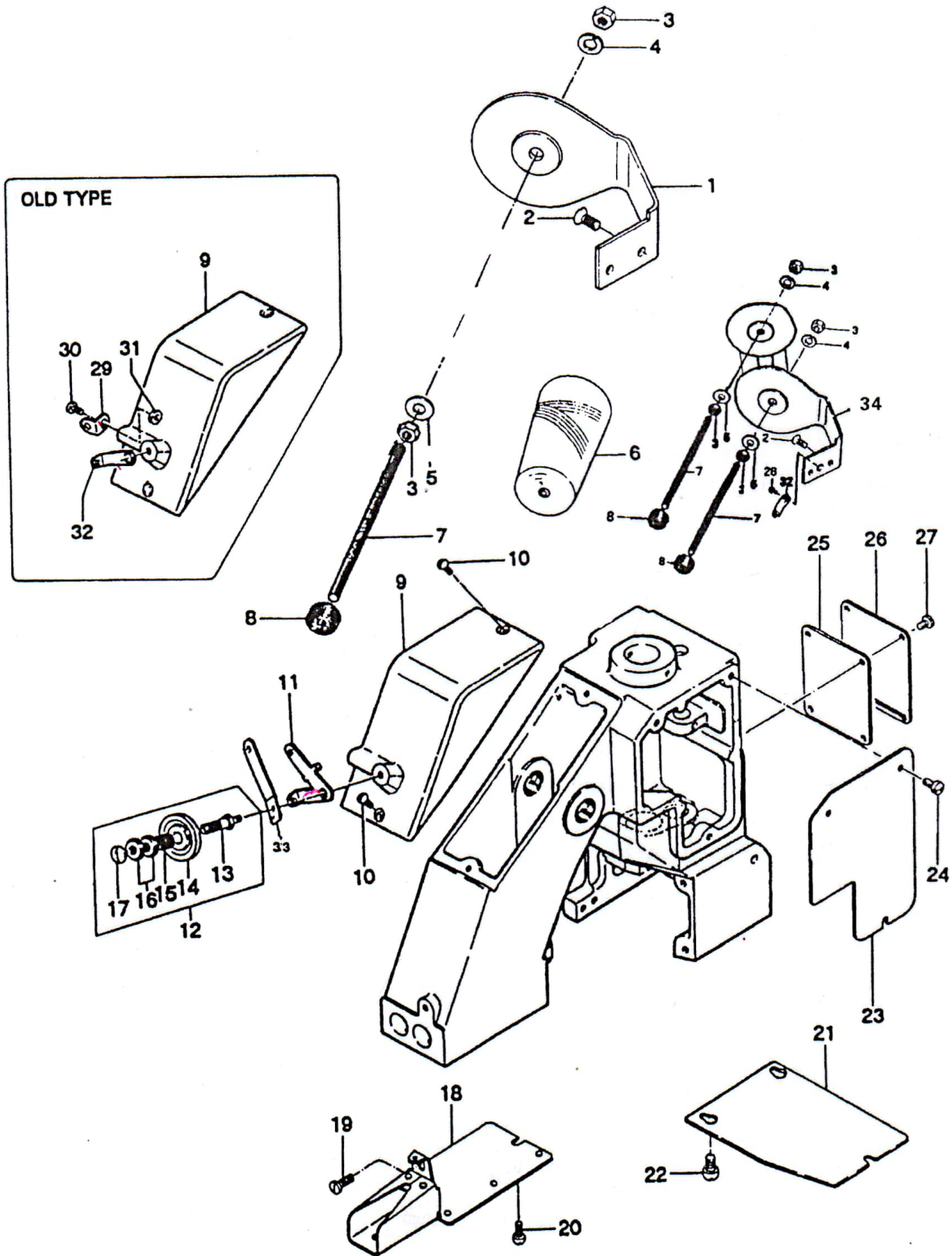


(1) THREAD TENSION AND COVER PARTS

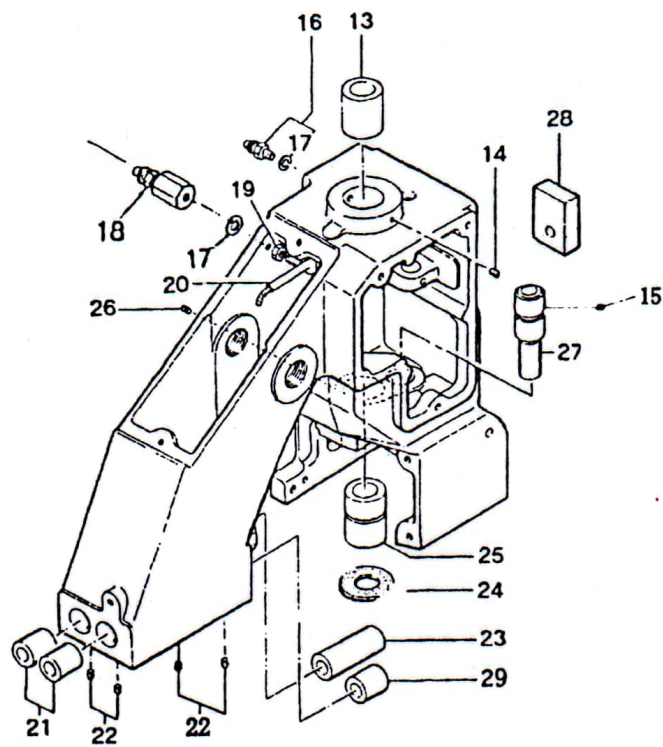
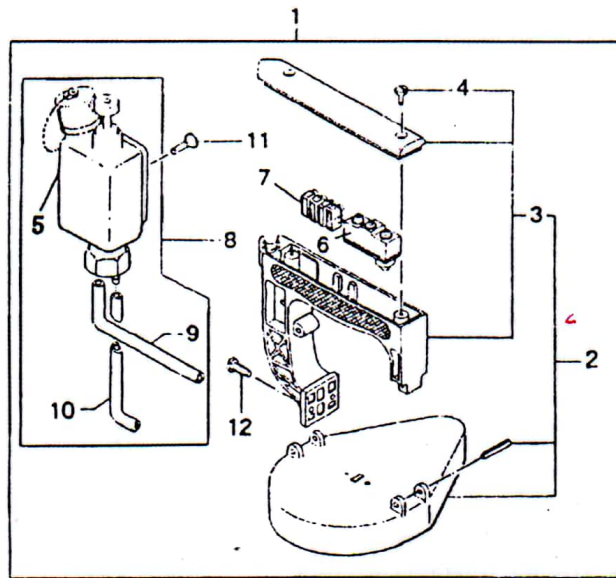


(1) THREAD TENSION AND COVER PARTS

Ref No.	Part No.	Description	Part No. NP - 7	Q'ty	Remarks
1	1 - 30 - 3	Thread Stand	245042	1	
2	1 - 37	Screw,for 245042	15/64S28028	2	
3	GB6175 - 86	Nut	1N6	2	GK26 - 2 4
4	GB859 - 87	Spring Washer	3W6	1	GK26 - 2 2
5	GB95 - 85	Washer	2W6	1	GK26 - 2 2
6		Thread	K01001	1	GK26 - 2 2
7	1 - 30 - 1	Thread Cone Clamping Rod	245052	1	GK26 - 2 2
8	1 - 30 - 2	Thread Cone Clamping Nut	245201	1	GK26 - 2 2
9	1 - 21	Top Cover	245014	1	
10	S40	Screw for 245014	9/64S40005	2	
11	245551	Thread Eyelet	245551	1	
12		Thread Tension Assembly	245081A	1	(13-17)
13	1 - 17	Tension Post	245081	1	
14	R56	Tension Disc	065261	2	
15	1 - 20	Tension Spring	245101	1	
16	1 - 19	Tension Nut	245091	2	
17	1 - 18	Screw,for 245081A	9/64S40011	1	
18	1 - 11	Needle Bar Guard	245033	1	
19	S40	Screw,for 245033	9/64S40065	1	
20	S40	Screw,for 245033	9/64S40065	2	
21	1 - 10	Looper Cover	245222	1	
22	S40	Screw,for 245222	9/64S40065	3	
23	1 - 12	Side Plate	245022	1	
24	S40	Screw,for 245022	9/64S40005	3	
25	245481	Gasket	245481	1	
26	1 - 13	Inside Cover	245302	1	
27	S40	Screw,for 245302	9/64S40005	4	
28	GS55	Screw	11/64S40	1	GK26 - 2
29	1 - 35	Thread Eyelet	245261	1	
30	S40	Screw,for 245261	11/64S40006	1	
31		Nut		1	
32	1 - 16	Thread Tension Eyelet	245071	1	GK26 - 2 2
33	1 - 39	Thread Eyelet		1	GK26 - 2
34	1 - 30 - 3A	Thread Stand		1	GK26 - 2



(2) BUSHINGS, OILINGS AND HANDLE PARTS

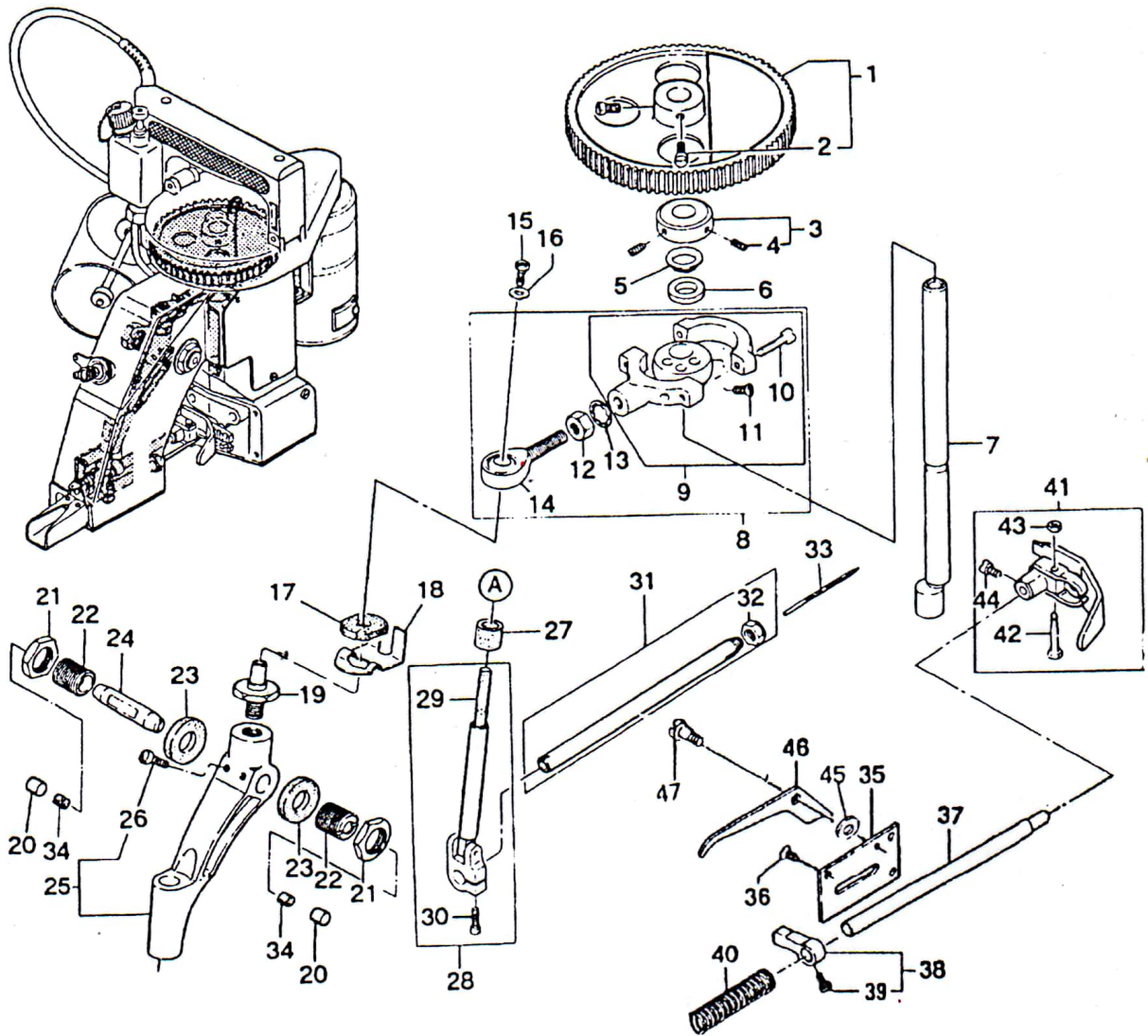


(2) BUSHINGS, OILINGS AND HANDLE PARTS

Ref No.	Part No.	Description	Part No. NP - 7	Q' ty	Remarks
1		Handle Assembly	241024AS	1	
2		Handle Assembly	241024A	1	(3 - 4)
3	1 - 2	Handle	241024	1	
4	1 - 18	Screw, for 241024A	9/64S40011	2	
5	6 - 0	Pump		1	
6	Lx5 - 11/D	Micro Switch(Z - 15GK655 - B)	C02001	1	
7	X ₅ C ₀ V ₁ ⁰ A	Flexible Terminal Block(ML - SK - 1,4P)	C05008	1	
8		Oiler	D03003	1	
9		Oil Tube, with oil felt	8EU2 - 6 × 90F	1	
10		Oil Tube, with oil felt	8FU2 - 6 × 60F	1	
11	GB68 - 85	Screw, for D03003	6S5 × 15	1	
12	1 - 36	Screw, for 241024A	15/64S28021	2	
13	2 - 11	Main Shaft Bushing, rear	241122	1	
14	S38	Screw, for 241122	11/64S40	1	
15	S38		11/64S40	1	
16	6 - 14	Joint(BN - 5 - 6)	D07021	1	
17	7 - 7	Washer	E03014	2	
18	6 - 15	Joint	245471	1	
19	GB6175 - 86	Nut	1N4	1	
20	6 - 17	Oil Pipe	245461	1	
21	2 - 2	Bushing for Presser Bar & Needle Bar, upper	242212	2	
22	S38	Screw, for 242212	11/64S40	4	
23	5 - 8	Presser Bar Bushing, lower	242222	1	
24	4 - 19	Oil Felt	245541	1	
25	2 - 22	Main Shaft Bushing, lower	241111	1	
26	S38	Screw, for 241111	11/64S40	1	
27	3 - 4	Looper Rocker Shaft Bushing	243021	1	
28	3 - 5	Oil Felt	245162	1	
29	2 - 4	Needle Bar	242212	1	



(3) NEEDLE BAR, PRESSER BAR AND DRIVING PARTS

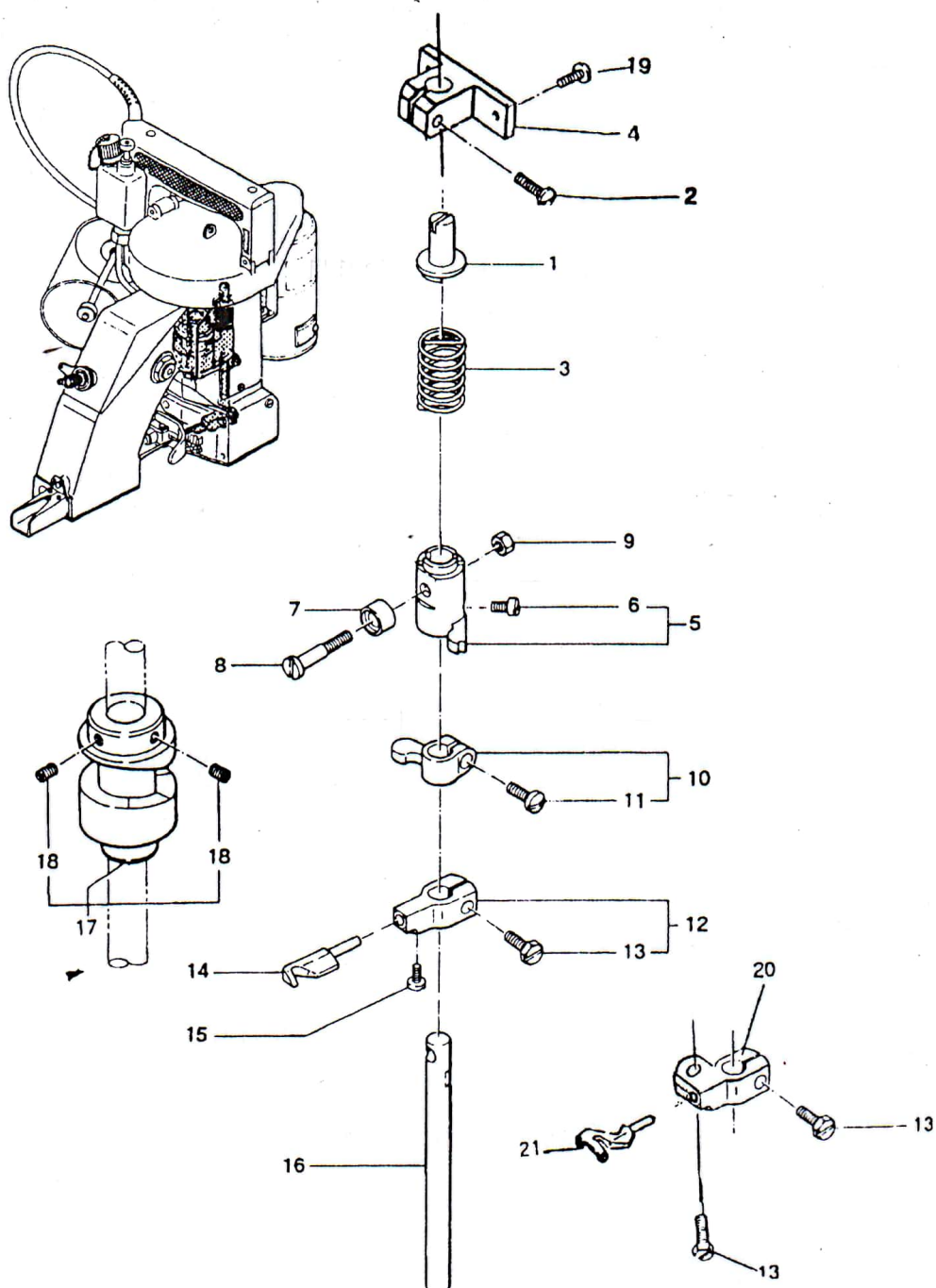


(3) NEEDLE BAR, PRESSER BAR AND DRIVING PARTS

Ref No.	Part No.	Description	Part No. NP - 7	Q' ty	Remarks
1	1 - 23	Synchro Pulley	241092	1	
2	S30	Screw, for 241092	11/64S40	2	
3	2 - 13	Retaining Collar	241131	1	
4	GS55	Screw, for 241131	11/64S40502	2	
5	2 - 10	Spacer	241161	1	
6	2 - 9	Oil Felt	205131	1	
7	2 - 12	Main Shaft	241102	1	
8		Connecting Rod Assembly	242011A	1	
9	2 - 8 - 1	Connecting Rod Sub - Assembly <small>大连杆</small>	242011	1	
10	2 - 8 - 2	Screw, for connecting rod cap	3/16S28029	2	
11	GS55	Screw, for eccentric cam	11/64S40001	2	
12	GB6175 - 86	Nut, for 242011A	1N8	1	
13	GB861·2 - 87	Washer, for 242011A	5W8	1	
14	2 - 8 - 5	Rod End(POS - 8)	6A04001	1	
15	4 - 11	Screw, for 242031	11/64S40084	1	
16	GB95 - 85	Washer, for 242031	11/64W15103	1	
17	2 - 15	Oil Felt	245211	1	
18	2 - 14	Spring	242041	1	
19	2 - 16	Rod End Stud <small>连接轴</small>	242031	1	
20		Cap	245491	2	
21	2 - 19	Nut, for 242081	5/8N18101	2	
22	2 - 18	Adjusting Stud	242081	2	
23	2 - 21	Oil Felt	245231	2	
24	2 - 20	Needle Bar Lever Stud <small>摇杆轴</small>	242071	1	
25	2 - 7	Needle Bar Lever Assembly	242051A	1	
26	S30	Screw, for 242051A	11/64S40004	2	
27	2 - 3 - 3	Oil Felt	245371	1	
28	2 - 3 - 1 2 - 3 - 2 2 - 3 - 4	Needle Bar Connection Assembly	242101A	1	
29	2 - 3 - 5	Oil Felt	205171	1	
30	GS55	Screw, for 242101A	11/64S40003	1	
31	2 - 1	Needle Bar with Nut	242121A	1	
32	2 - 5	Needle Clamp Nut	242131	1	
33	2 - 6	Needle(DN × 1 # 25)	B01002	1	
34		Oil Felt	065561	2	
35	5 - 5	Presser Foot Lifter Base	242172	1	
36	S47	Screw, for 242172	11/64S40002	3	
37	5 - 9	Presser Bar	242201	1	
38	5 - 7	Presser Bar Connection	242181	1	
39	GS55	Screw, for 242181	11/64S40003	1	
40	5 - 6	Presser Spring	242191	1	
41		Presser Foot Assembly	242231A	1	
42	5 - 2	Screw	9/64S40055	1	
43	5 - 1	Nut	9/64N40101	1	
44	GS55	Screw, for 242231A, 242233A	11/64S40005	1	
45	5 - 13	Washer		1	
46	5 - 12	Presser Foot Lifter	242161	1	
47	5 - 14	Screw, for 242161		1	



(4) LOOPER DRIVING PARTS

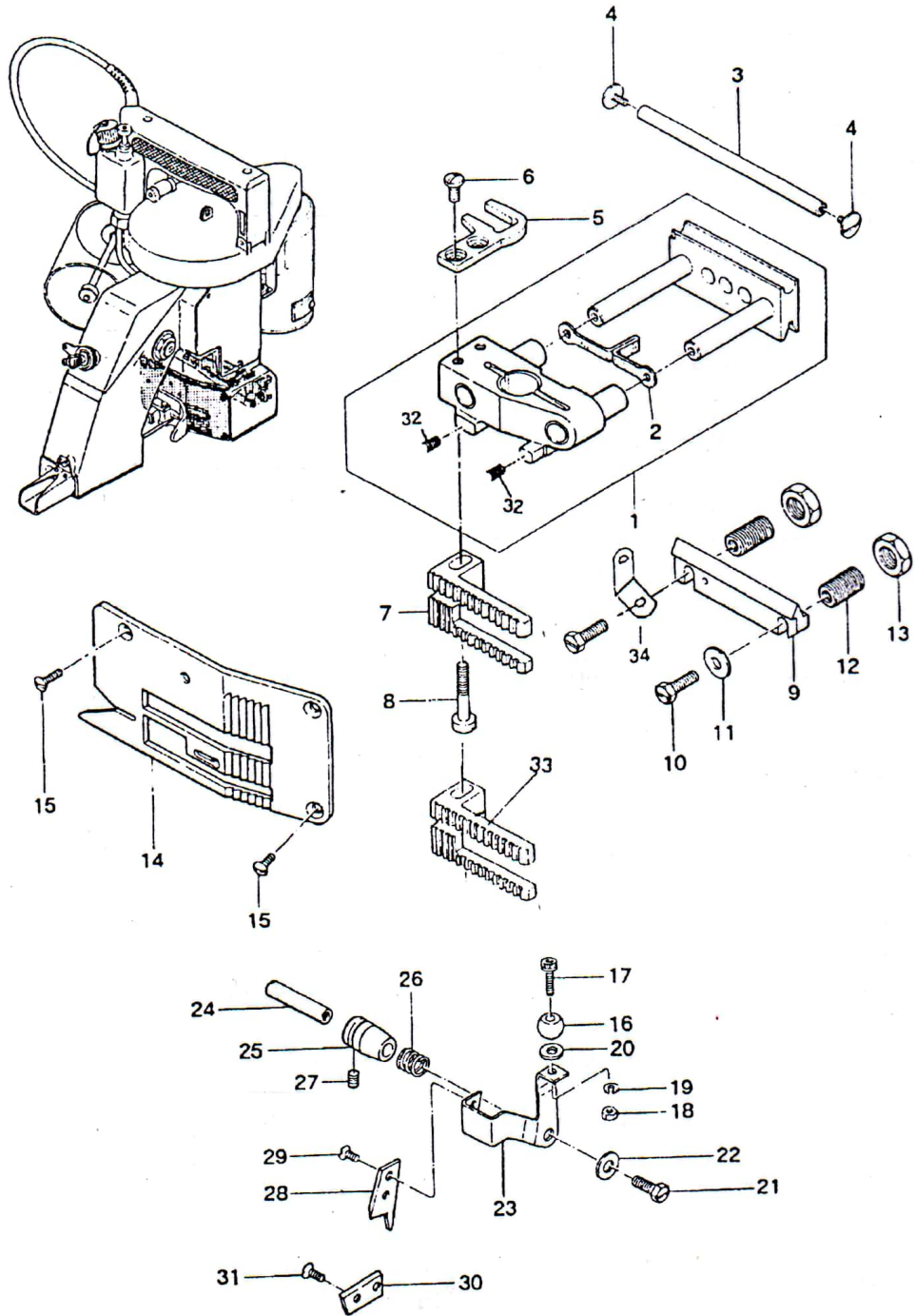


(4) LOOPER DRIVING PARTS

Ref No.	Part No.	Description	Part No. NP - 7	Q' ty	Remarks
1	3 - 14	Spring Suporter	243121	1	
2	S30	Screw	11/64S40	1	
3	3 - 12	Spring	243131	1	
4	3 - 13	Spring Supporter Block	243111	1	
5	3 - 7	Looper Rocker Shaft Arm(A)	243071	1	
6	GS55	Screw, for 243071	11/64S40	1	
7	3 - 11	Roller	243041	1	
8	3 - 9	Roller Stud Screw	243061	1	
9	3 - 10	Nut, for 243061	11/64N40201	1	
10	3 - 8	Looper Rocker Shaft Arm(B)	243081	1	
11	GS55	Screw, for 243081	11/64S40	1	
12	3 - 2	Looper Rocker	243092	1	
13	3 - 15	Screw, for 243092	11/64S40089	1	
14	3 - 1	Looper	243102	1	
15	S40	Screw, for 243102	9/64S40001	1	
16	3 - 3	Looper Rocker Shaft	243032	1	
17	3 - 6	Looper Drive Cam	243012	1	
18	S2	Screw, for 243012	15/64S28524	2	
19	S40	Screw	9/64S40	2	
20	3 - 2A	Looper Rocker		1	GK26 - 2
21	3 - 1A	Looper		1	GK26 - 2



(5) FEED DRIVING AND THREAD CUTTER PARTS

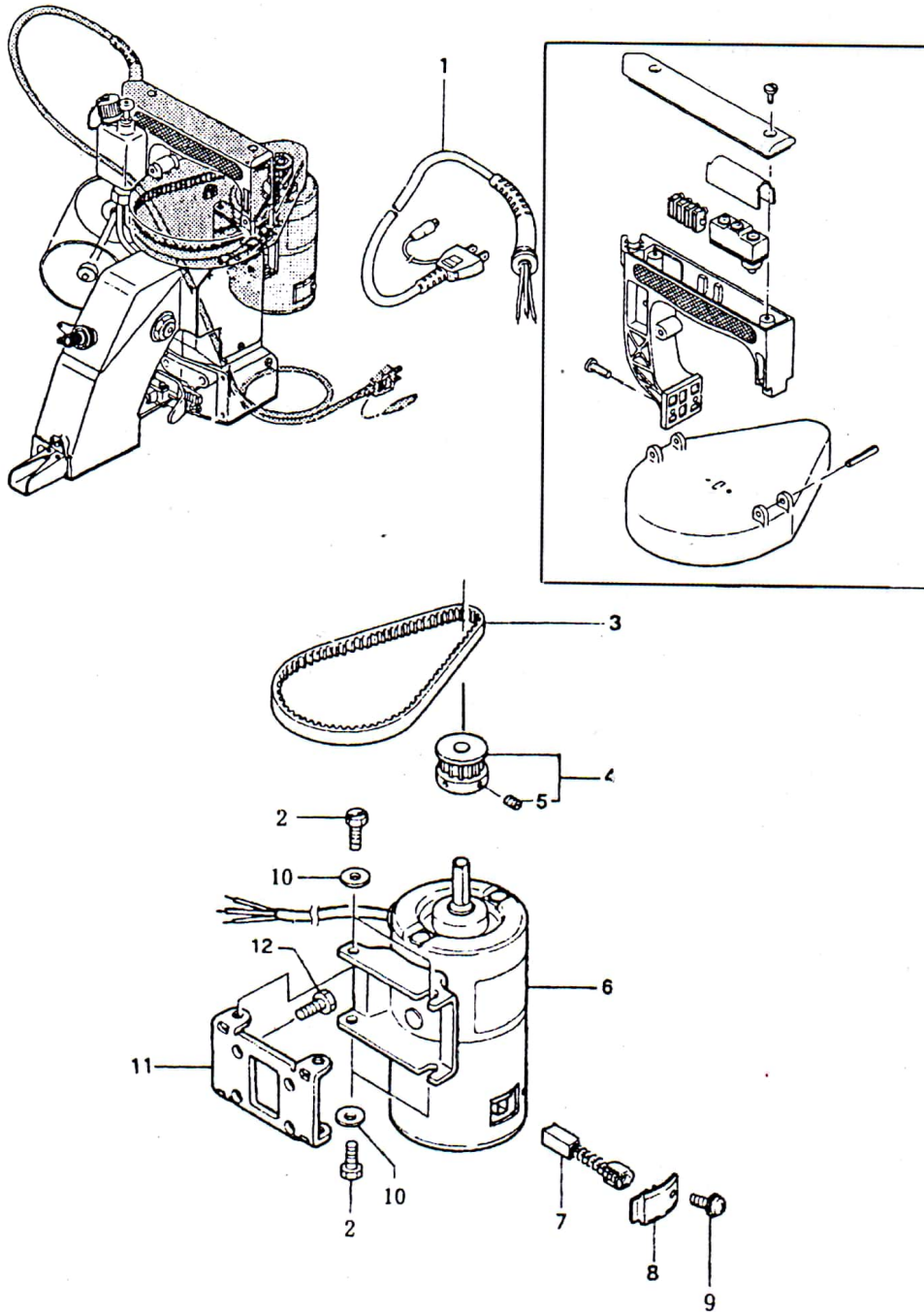


(5) FEED DRIVING AND THREAD CUTTER PARTS

Ref No.	Part No.	Description	Part No. NP - 7	Q'ty	Remarks
1	4 - 18	Feed Dog Carrier Blocd Assembly	244011A		
2	4 - 21	Oil Felt	245391	1	
3	4 - 25	Slide Block Guide Stud	244102	1	
4	1 - 18	Screw , for 244102	9/64S40011	2	
5	4 - 15	Knife Bracket Extension	246011	1	
6	4 - 11	Screw , for 246011	3/16S32031	2	
7	4 - 14	Feed Dog	244111	1	
8	4 - 12	Screw , for 244111	3/16S32034	1	
9	4 - 24	Slide Block Adjusting	244081	1	
10	4 - 23	Lock Bolt , for 244091	3/16S32025	2	
11	2 - 24	Washer , for 244091	11/64W15103	2	GK26 - 2 1
12	4 - 2	Stud Slide Block Adjusting Support	244091	2	
13	4 - 1	Lock Nut , for 244091	3/8N24201	2	
14	4 - 13	Throat Plate	244122	1	
15	4 - 10	Screw , for 244122	9/64S40043	3	
16	4 - 9 - 2	Ball	246081	1	
17	GB5783 - 86	Bolt , for 246081 (M3 × 0.5 × 121)	4B × 12	1	
18	GB6175 - 86	Nut , for 246081 (M3 × 0.5)	1N3	1	
19	GB859 - 87	Spring Lock washer (M3)	3W3	1	
20	GB95 - 85	Washer , for 246081 (M3)	1W3	1	
21	GS55	Scerw , for 246021	11/64S40049	1	
22	GB95 - 85	Washer , for 246021	11/64W15103	1	
23	4 - 9 - 1	Knife Bracket	246021	1	
24	4 - 5	Knife Bracket Pin	246032	1	
25	4 - 4	Bushing , for 246032	246042	1	
26	4 - 6	Knife Tension Spring	246051	1	
27	S38	Screw , for 246042	11/64S40	1	
28	4 - 9 - 3	Knife Moving	246061	1	
29	4 - 7	Screw , for 246061	1/8S40003	2	
30	4 - 8	Knife Stationary	246071	1	
31	4 - 7	Screw , for 246071	1/8S40003	2	
32	4 - 17	Screw		2	
33	4 - 14A	Feed Dog		1	GK26 - 2
34	1 - 35	Thread Eyelet		1	GK26 - 2



(6) MOTOR, PARTS (For Totally Enclosed Type Motor)

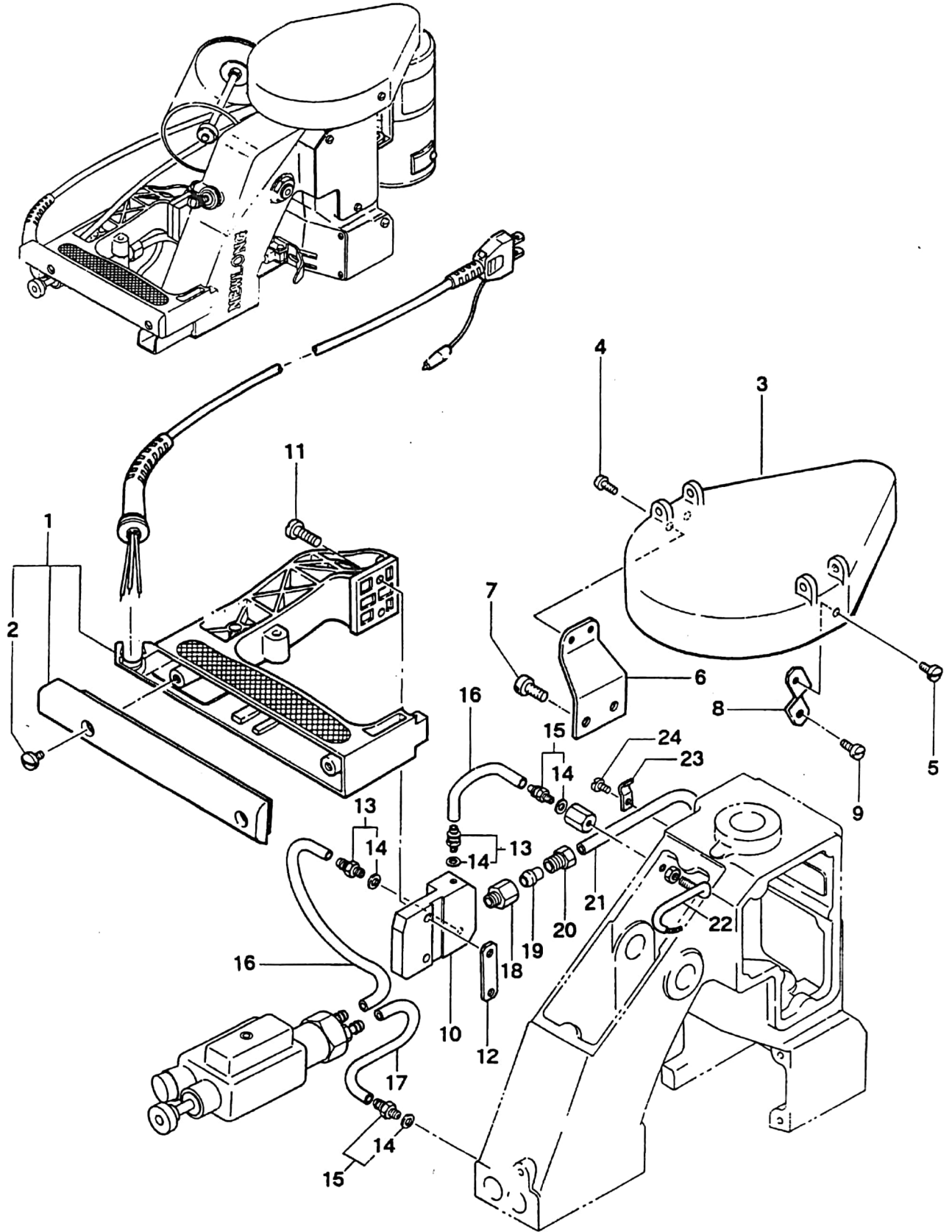


(6) MOTOR, PARTS (For totally Enclosed Type Motor)

Ref No.	Part No.	Description	Part No. NP - 7	Q' ty	Remarks
1	1 - 9	Cabtyer Cord, With Plug (Standard Type)	C04001	1	
		Cabtyer Cord, With Plug (American Type)	C04003	1	
		Cabtyer Cord, Word, With Plug (British Type)	C04004	1	
		Cabtyer Cord, With Plug (German Type)	C04005	1	
		Cabtyer Cord, With Plug (French Type)	C04006	1	
		Cabtyer Cord, With Plug (Australian Type)	C404007	1	
		Cabtyer Cord, With Plug (South Africa Type)	C04012	1	
2	3 - 15	Screw	11/64S40091	4	
3	1 - 22	Timing Belt	F01001	1	
4	1 - 29	Motor Pulley	241083	1	
5	S38	Screw, for 241083		2	
6		Universal Motor (220V - 90W)	C01028	1	
		Universal Motor (240V - 90W)	C01029	1	
		Universal Motor (110V - 90W)	C01030	1	
7		Carbon Brush	C08004	2	
8		Cap	C07003	2	
9	GB818 - 85	Screw	4S3 × 6 - W	2	
10	GB95 - 85	Washer	11/64W10101	4	
11	1 - 27	Motor Base B	241073	1	
12	1 - 32	Screw, for 241073	15/64S28004	4	



(7) SPECIAL PARTS FOR NP-7H

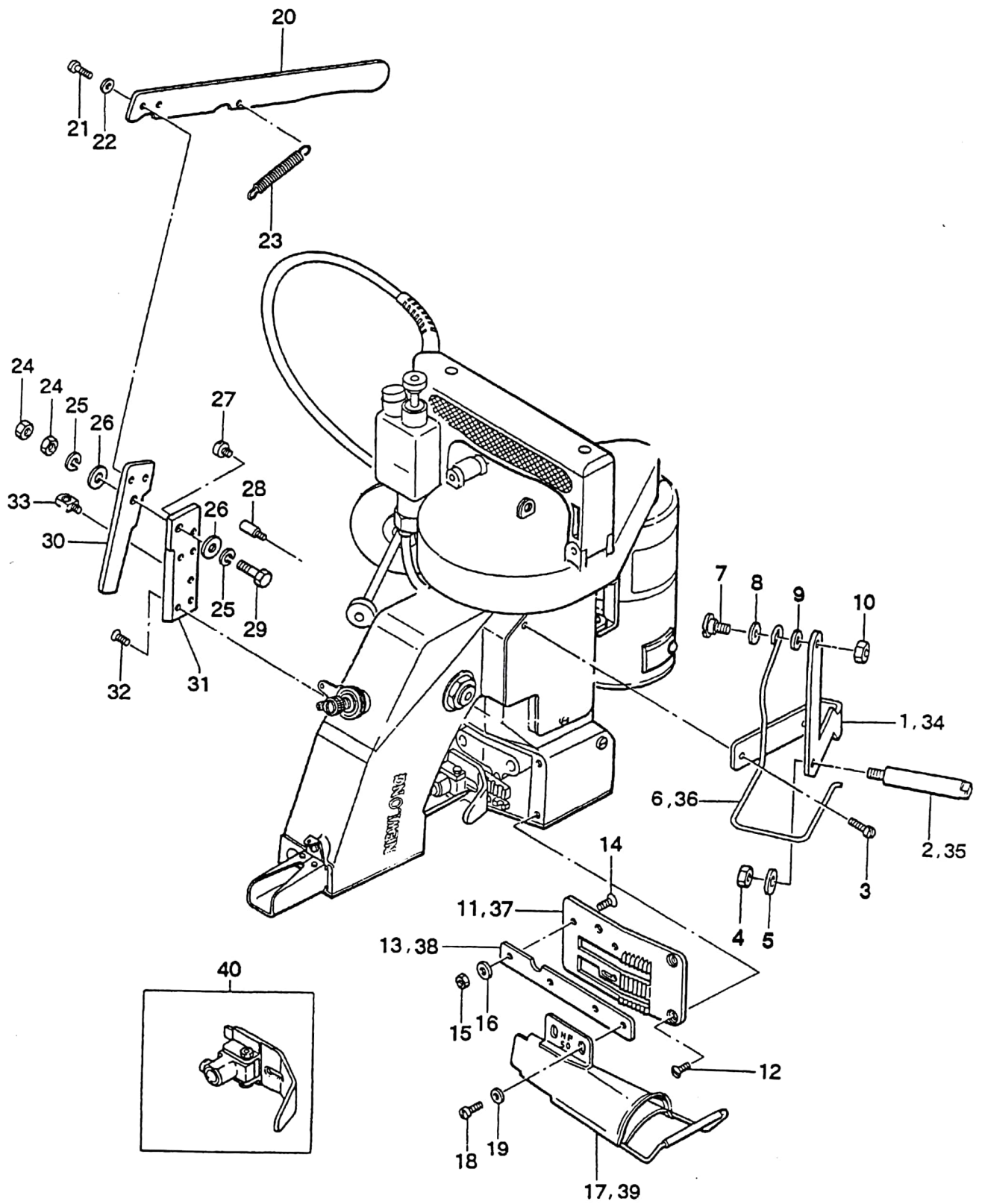


(7) SPECIAL PARTS FOR NP-7H

Ref. No.	Part No.	Description	Q'ty	Remarks
1	241024	Handle	1	(2)
2	9/64S40011	Screw	2	
3	241212	Pulley Cover	1	
4	9/64S40004	Screw, for 241053	2	
5	9/64S40052	Screw, for 241053	1	
6	241242	Pulley Cover Holder A	1	
7	15/64S28004	Screw, for 241242	2	
8	241231	Pulley Cover Holder B	1	
9	9/64S40005	Screw, for 241231	1	
10	241223	Handle Base	1	
11	15/64S28032	Screw, for 241253	2	
12	241253	Handle Base Holder	1	
13	D07021	Joint(BN-5-6)	2	(14)
14	E03014	Washer	4	
15	D07021	Joint(BI'-5-6)	2	(14)
16	8FU2-6x95F	Oil Tube (ϕ 6x95ℓ), with oil felt	2	
17	8FU2-6x70F	Oil Tube (ϕ 6x70ℓ), with oil felt	1	
18	D07022	Joint	1	
19	D07023	Compression Sleeve	1	
20	D07024	Compression Bushing	1	
21	8FN2-4x135K	Oil Tube (ϕ 4x135ℓ), with oil wick	1	
22	245462	Oil Pipe	1	
23	D07009	Tube Clip (PC-4-1)	1	
24	9/64S40005	Screw, for D07009	1	



(8) CREPE TAPE BINDING AND CUTTER PARTS (Special Order Parts)



(8) CREPE TAPE BINDING AND CUTTER PARTS (Special Order Parts)

Ref. No.	Part No.	Description	Q'ty	Remarks
1	247071	Crepe Tape Bracket	1	
2	247091	Crepe Tape Hanger Stud	1	
3	9/64S40035	Screw, for 247071	2	
4	1N6	Nut, for 247091 (M6)	1	
5	2W6	Washer, for 247091 (M6)	1	
6	247081	Crepe Tape Supporter	1	
7	11/64S40015	Screw, for 247071	1	
8	1/4W03205	Spring Washer, for 247071	1	
9	1/4W15105	Washer, for 247071	1	
10	11/64N40203	Nut, for 247071	1	
11	244132	Throat Plate	1	
12	9/64S40043	Screw, for 244132	3	
13	247051	Holder, for crepe tape binder	1	
14	9/64S40043	Screw, for 247051	2	
15	9/64N40101	Nut, for 247051	2	
16	2W4	Washer, for 247051(M4)	2	
17	247061	Crepe Tape binder	1	
18	9/64S40054	Screw, for 247061	2	
19	2W4	Washer, for 247061(M4)	2	
20	247031	Cutter Lever	1	
21	11/64S40046	Screw, for 247011	2	
22	11/64W10101	Washer, for 247011	2	
23	247041	Spring	1	
24	15/64N28206	Nut, for 247021	2	
25	3W6	Spring Lock Washer, for 247021,(M6)	2	
26	2W6	Washer, for 247021, (M6)	2	
27	11/64S40029	Stopper Screw, for 247011	1	
28	3/16S32026	Stopper Screw, for 247031	1	
29	247021	Hinge Pin	1	
30	247011	Knife, Moving	1	
31	247001	Knife, Stationary	1	
32	1/8S40003	Screw, for 247001	4	
33	183261	Spring Hook	1	
34	247073	Crepe Tape Bracket	(1)	for Crepe Tape width 70 mm
35	247092	Crepe Tape Hanger Stud	(1)	
36	247082	Crepe Tape Supporter	(1)	
37	244133	Throat Plate	(1)	
38	247052	Holder, for crepe tape binder	(1)	
39	247063	Crepe tape Binder	(1)	
40	242261A	Presser Foot Assembly	(1)	

